

## PAPER DISPENSERS **GW03 02 04 02 Jumbo INOX 304 paper dispenser**



### Product description

Material: AISI 304 Stainless steel  
Finish: Polished  
Spool roll type 250/300 m  
Content viewer  
Safety lock

### Technical specifications:

The industrial hygienic paper dispenser is made up of a cover and support that is attachable to a wall. Both the wall mount and the cover, which includes a content viewer, are made in AISI 304 stainless steel with a polished finish. The rolls are replaced by inserting a key in the slot on the front of the dispenser and turning it 90° in order to lift the cover and access the spool. The core has rubber rings to fix the paper roll. The type of paper used is a 250/300 m roll. The dispenser is fixed to the wall by means of screws, with universal wall plugs for brick walls, located on the product's wall mount. The paper dispenser model is GW03 02 04 02, manufactured by GENWEC WASHROOM S.L. - Av. Joan Carles I, 46-48 - ES 08908 L'Hospitalet de Llobregat - Barcelona (Spain). [www.genwec.com](http://www.genwec.com).

### Technical characteristics

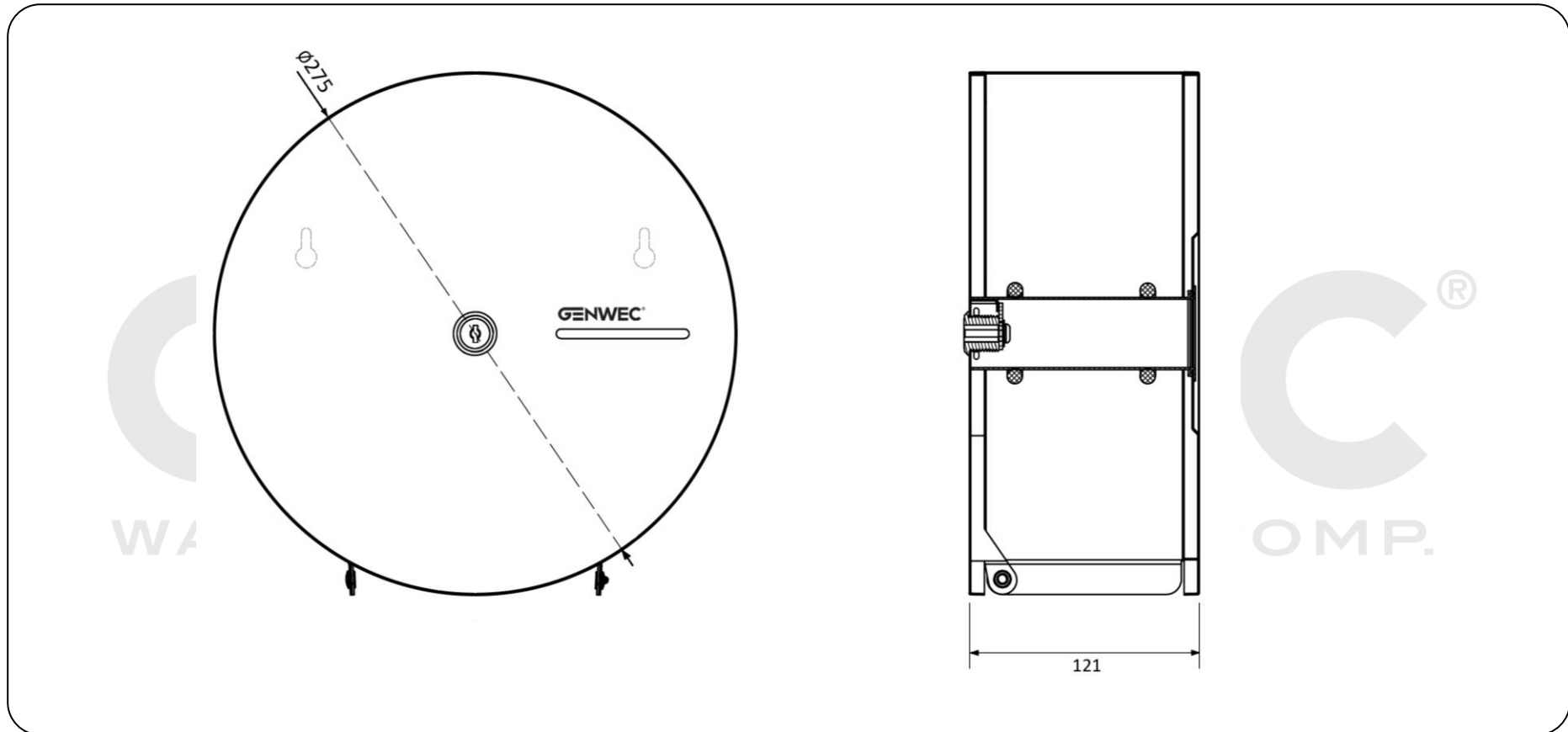
#### Product specifications

Type of material: AISI 304 Stainless steel  
Finish: Polished  
Type of paper roll: 250/300 m.  
Safety lock  
Content viewer

#### Packaging specifications

- Type of individual package: Individual cardboard box and Cell Aire wrap.
- Product dimensions: Ø275 x 121 mm

PAPER DISPENSERS **GW03 02 04 02 Jumbo INOX 304 paper dispenser**



**Cleaning:** A cotton cloth slightly dampened in a soapy solution is recommended. Then dry off. Do not use any strong chemicals or cleaning agents that can be dangerous to children.