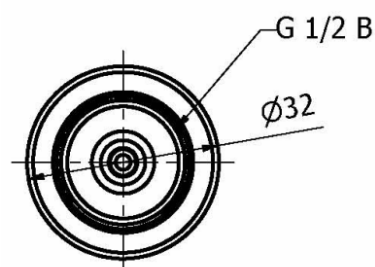
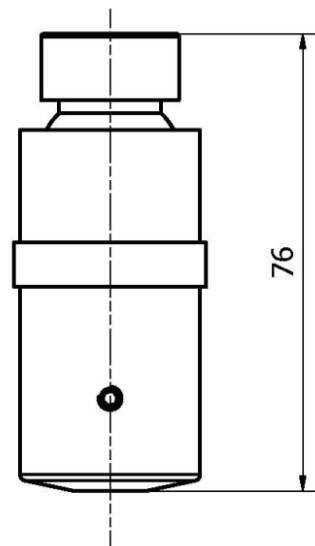


1182 04

ROCIADOR PARA DUCHA ANTIVANDÁLICO CON RÓTULA ANTI-VANDAL SHOWER SPRAYER WITH BALL AND SOCKET



Características

- 1) Carcasa, cuerpo y r3tula realizado en lat3n seg3n UNE-EN 1982.
- 2) Cromado seg3n EN 248.
- 3) Con regulador de caudal (7 l/min).
- 4) M3xima presi3n: 8 bares
- 5) Jet anticalc3reo.

Features

- 1) Cover, body and joint-knee made in brass according to UNE-EN 1982.
- 2) Chrome plated according to EN 248.
- 3) W/ flow regulator (7 l/min).
- 4) Maximum pressure: 8 bar.
- 5) Anti-lime jet